



GOOSENECKS

GATE OPERATOR HARDWARE & ACCESORIES

Our gooseneck posts are made of 2" x 2" powder-coated steel and have a 4" x 4" plate for easy accessory mounting. They are suitable for mounting keypads, card readers, and telephone entry systems for vehicle access. We offer three styles: surface mount (**AGN-SM1**), in-ground (**AGN-GN1**), and dual-height surface mount (**AGN-SM2-64 & AGN-SM2-72**).

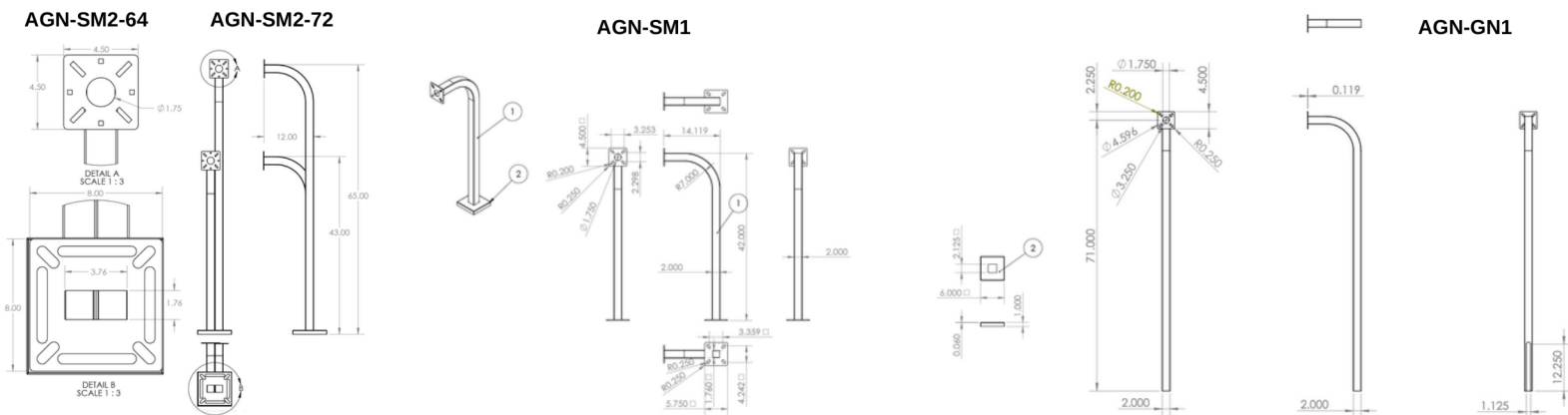
DUAL-HEIGHT GOOSENECKS

AGN-SM2-64 heights are 42" and 64"

AGN-SM2-72 heights are 42" and 72"



Parts & Drawing



SLIDERS | **SWINGERS** | **OVERHEADS**

The standard by which all other automatic gate operators are measured.

818-787-1988



allomatic.net